



DWG NO.

SH
1

REV
A

CUSTOMER SIGN OFF

CUSTOMER SIGNATURE: _____

PRINTED NAME: _____

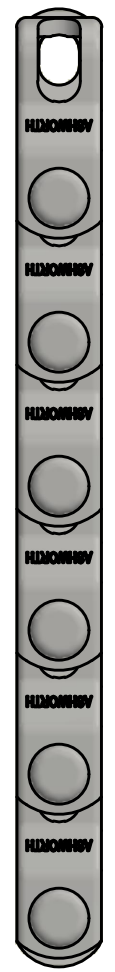
TITLE: _____

DATE: _____



↑
.750 [19.05]
BELT PITCH
↓

↑
.192 [4.88] ROD DIAM
↓



THIS DRAWING CONTAINS CONFIDENTIAL INFORMATION AND TRADE SECRETS OF ASHWORTH BROS., INC. IT MAY NOT BE REPRODUCED IN WHOLE OR IN PART OR USED FOR THE BENEFIT OF ANYONE OTHER THAN ASHWORTH BROS., INC. NO RIGHT IS GRANTED TO DISCLOSE OR USE ANY INFORMATION SHOWN ON THIS DRAWING.

UNLESS OTHERWISE SPECIFIED DIMENSIONS ARE IN INCHES. DIMENSIONS NOTED ARE NOMINAL VALUES ONLY. ACTUAL DIMENSIONS ARE AFFECTED BY MANUFACTURING SPECS. AND / OR PROCESS CONDITIONS. CONTACT ASHWORTH ENGINEERING FOR FOR MORE DETAIL.

THIRD ANGLE PROJECTION

MATERIAL

TREATMENT NONE

FINISH NONE

CONTRACT / PROJECT NO.

APPROVALS	DATE
-----------	------

DRAWN	witrinc	3/5/2020
-------	---------	----------

DESIGN	CST	3/28/2017
--------	-----	-----------

CHECKED	
---------	--

REF ASSEMBLY

REF PART

ASHWORTH PART NUMBER



Ashworth Bros., Inc.

450 ARMOUR DALE, WINCHESTER, VA 22601

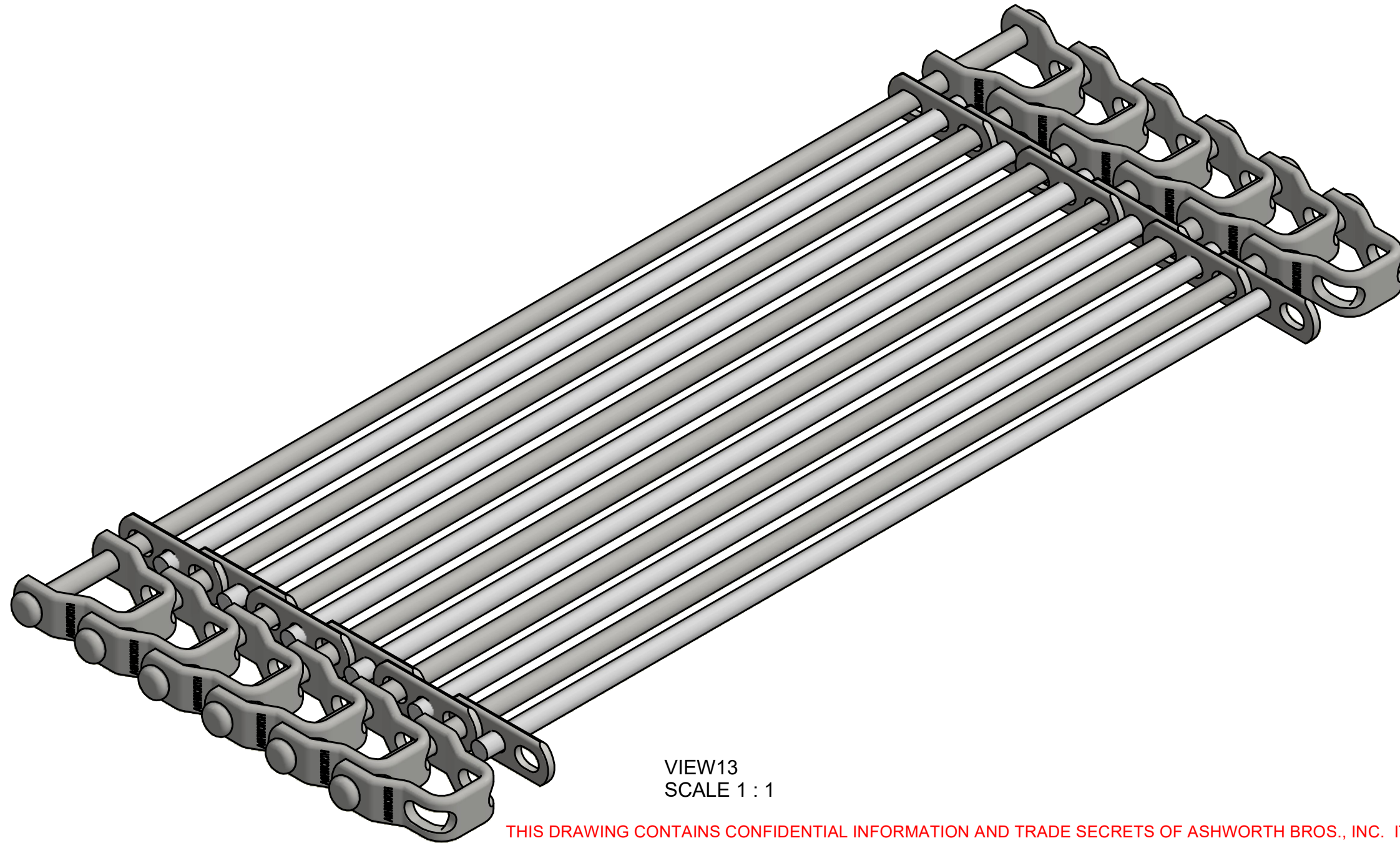
TITLE
ILLUSTRATION OG075 MID-PITCH RODS

SIZE	CAGE CODE	QUOTE NO.	REV.
------	-----------	-----------	------

B	96664		
----------	--------------	--	--

SCALE	1 : 1	CALC.WT	N/A	SHEET	1 OF 2
-------	-------	---------	-----	-------	--------





VIEW13
SCALE 1 : 1

THIS DRAWING CONTAINS CONFIDENTIAL INFORMATION AND TRADE SECRETS OF ASHWORTH BROS., INC. IT MAY NOT BE REPRODUCED IN WHOLE OR IN PART OR USED FOR THE BENEFIT OF ANYONE OTHER THAN ASHWORTH BROS., INC. NO RIGHT IS GRANTED TO DISCLOSE OR USE ANY INFORMATION SHOWN ON THIS DRAWING.

UNLESS OTHERWISE SPECIFIED DIMENSIONS ARE IN INCHES. DIMENSIONS NOTED ARE NOMINAL VALUES ONLY. ACTUAL DIMENSIONS ARE AFFECTED BY MANUFACTURING SPECS. AND / OR PROCESS CONDITIONS. CONTACT ASHWORTH ENGINEERING FOR MORE DETAIL.

THIRD ANGLE PROJECTION

MATERIAL

TREATMENT NONE

FINISH NONE

CONTRACT / PROJECT NO.

APPROVALS	DATE
DRAWN witrinc	3/5/2020
DESIGN CST	3/28/2017
CHECKED	

REF ASSEMBLY

REF PART

ASHWORTH PART NUMBER



Ashworth Bros., Inc.

450 ARMOUR DALE, WINCHESTER, VA 22601

TITLE
ILLUSTRATION OG075 MID-PITCH RODS

SIZE	CAGE CODE	QUOTE NO.	REV.
B	96664		
SCALE 1 : 1	CALC.WT N/A	SHEET 2 OF 2	