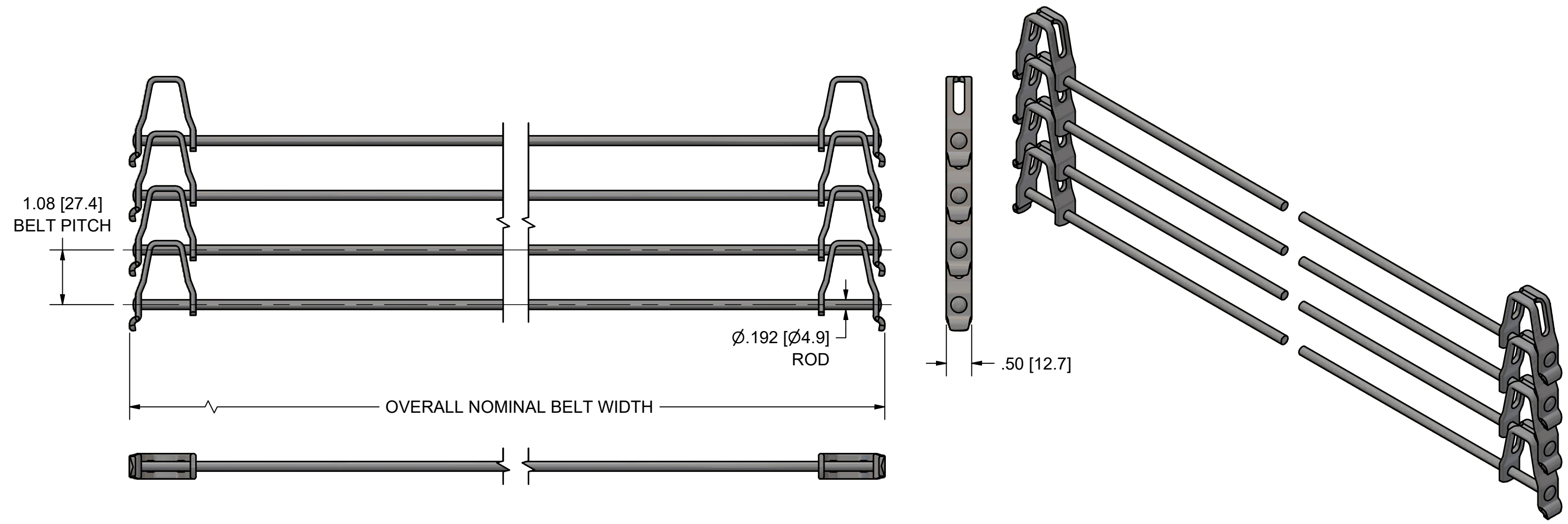


REVISION HISTORY				
ZONE	REV	DESCRIPTION	DATE	APPROVED
	A	INITIAL RELEASE	NEC 8/3/23	



THIS DRAWING CONTAINS CONFIDENTIAL INFORMATION AND TRADE SECRETS OF ASHWORTH BROS., INC. IT MAY NOT BE REPRODUCED IN WHOLE OR IN PART OR USED FOR THE BENEFIT OF ANYONE OTHER THAN ASHWORTH BROS., INC. NO RIGHT IS GRANTED TO DISCLOSE OR USE ANY INFORMATION SHOWN ON THIS DRAWING.

NOTES:

- 1. OVERALL BELT WIDTH: PER ORDER
- 2. MATERIAL: PER ORDER

UNLESS OTHERWISE SPECIFIED DIMENSIONS ARE IN INCHES [mm]. DIMENSIONS NOTED ARE NOMINAL VALUES ONLY. ACTUAL DIMENSIONS ARE AFFECTED BY MANUFACTURING SPECS. AND / OR PROCESS CONDITIONS. CONTACT ASHWORTH ENGINEERING FOR MORE DETAIL.	CONTRACT / PROJECT NO.		<b>Ashworth Bros., Inc.</b> <small>450 ARMOUR DALE, WINCHESTER, VA 22601</small>			
	APPROVALS	DATE				
	DRAWN NEC	8/3/2023	TITLE <b>ILLUSTRATION, OMNI-PRO 100, NO MESH</b>			
	DESIGN NEC	8/3/2023				
THIRD ANGLE PROJECTION	CHECKED					
MATERIAL	REF ASSEMBLY		SIZE	CAGE CODE	QUOTE NO.	REV.
TREATMENT	REF PART		<b>B</b>	<b>96664</b>	<b>OP100-NO-MESH</b>	<b>A</b>
FINISH NONE	ASHWORTH PART NUMBER		SCALE .5	CALC.WT 0.99 lbmass	SHEET 1 OF 1	