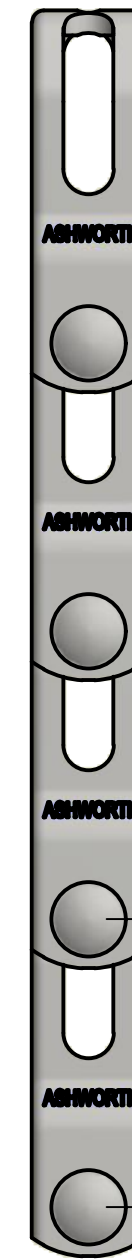

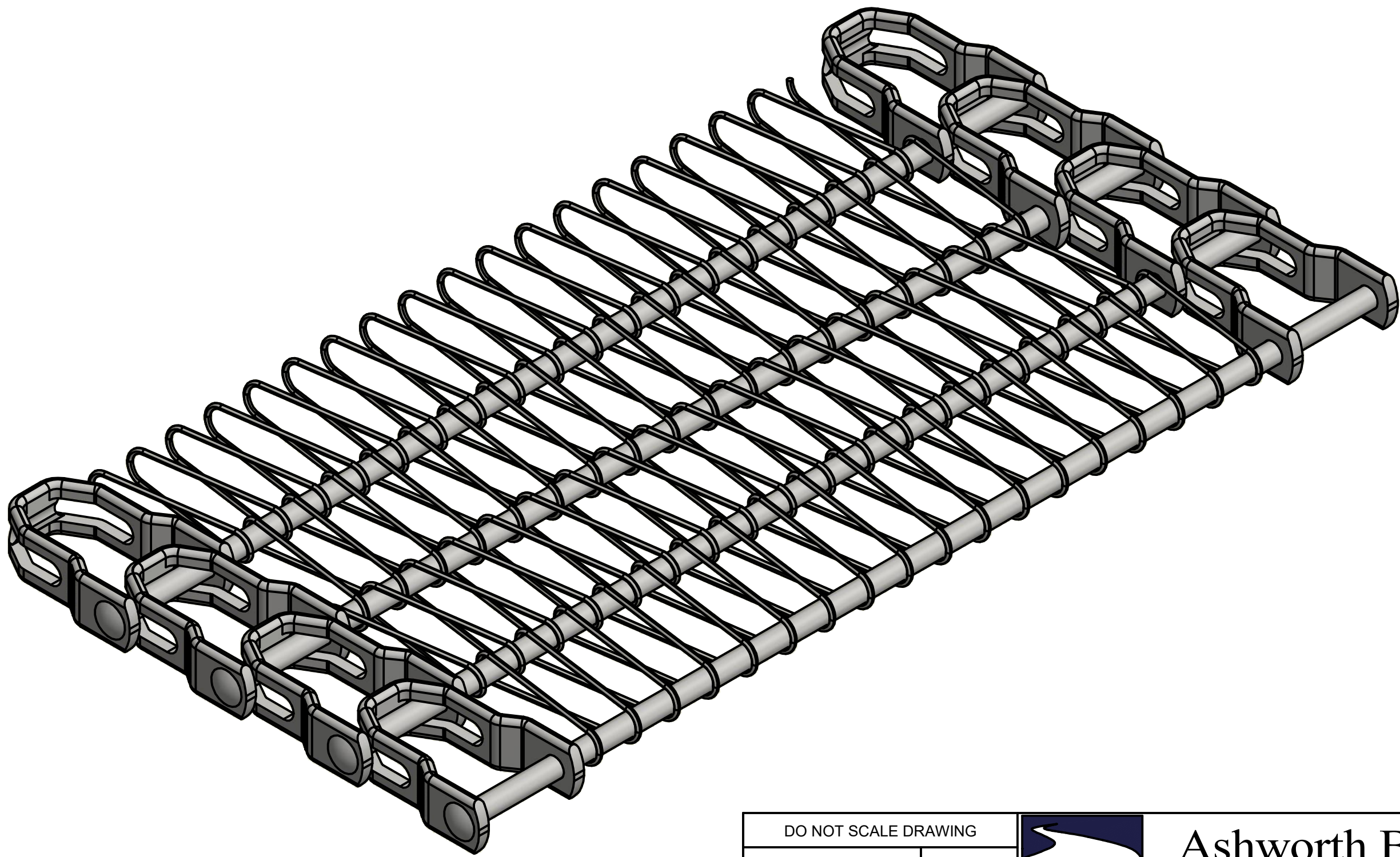


Ø.236 [5.99]  
ROD




1.500 [38.10]  
BELT PITCH

|  |          |  |
|--|----------|--|
| DO NOT SCALE DRAWING   |          |  <b>Ashworth Bros., Inc.</b><br>450 ARMOUR DALE, WINCHESTER, VA 22601 |
| APPROVALS  | DATE     |  |
| DRAWN  | 7/8/16   | TITLE  |
| UNLESS OTHERWISE SPECIFIED<br>DIMENSIONS ARE IN INCHES.<br>TOLERANCES:<br>.X = ± .03      FRACTION ± 1/16<br>.XX = ± .015      ANGLES ± 1/2°<br>.XXX = ± .005<br>.XXXX = ± .0005      SURF FINISH 63 ✓ |          | <b>ILLUSTRATION OG360-150 B24-8-17</b>   |
| SIZE   | DWG. NO. | REV.   |
| <b>B</b>   |          |  |
| CAD/FILE NAME  | SCALE    | CALC.WT  |
| OP Assembly.idw  | 1/1      | N/A  |
|  | SHEET    |  |
|  | 1 OF 2   |  |



VIEW5  
SCALE 1/1

|  |          |  |
|--|----------|--|
| DO NOT SCALE DRAWING   |          |  <b>Ashworth Bros., Inc.</b><br>450 ARMOUR DALE, WINCHESTER, VA 22601 |
| APPROVALS  | DATE     |  |
| DRAWN  | 7/8/16   | TITLE  |
| UNLESS OTHERWISE SPECIFIED<br>DIMENSIONS ARE IN INCHES.<br>TOLERANCES:<br>.X = ± .03      FRACTION ± 1/16<br>.XX = ± .015      ANGLES ± 1/2°<br>.XXX = ± .005<br>.XXXX = ± .0005      SURF FINISH 63 ✓ |          | ILLUSTRATION OG360-150 B24-8-17  |
| SIZE   | DWG. NO. | REV.   |
| <b>B</b>   |          |  |
| CAD/FILE NAME  | SCALE    | CALC.WT  |
| OP Assembly.idw  | 1/1      | N/A  |
|  | SHEET    |  |
|  | 2 OF 2   |  |