



SPIRAL SURF®

FOR LOTENSION, TURN CURVE AND STRAIGHT RUNNING APPLICATIONS



TESTED. CERTIFIED. SAFER.

Customers trust Ashworth belts for our strength and durability and our new plastic line of belts are no exception.



TESTED & PROVEN
100,000
CYCLES & BEYOND

Just like their metal counterparts, our SpiralSurf 100 & SpiralSurf 200 belts can be customized to meet individual requirements for cooling, proofing, and freezer applications.



FREEZER



PROOFER



COOLER



SPIRALSURF® 100

Perfect for tight transfers and smaller product

FEATURES

- 1" Pitch
- Plastic or steel rods available
- Material Options
 - Acetal (POM) (-40°F up to +200°F)
 - Polypropylene (PP) material (+41°F up to +220°F)
- 2.2 Turn Ratio
- Offset rod retention

BENEFITS

- Flush grid allows for drainage
- Smaller open area to accommodate smaller products
- Offset hole equals easy pin removal
- Easy to repair onsite
- No special tool required for assembly
- Simple link replacement
- Lighter belt compared to steel





SPIRALSURF® 200

Ideal for heavier/larger products

FEATURES

- 2" Pitch
- Plastic or steel rods available
- Material Options
 - Acetal (POM) (-40°F up to +200°F)
 - Polypropylene (PP) material (+41°F up to +220°F)
- 1.6 Turn Ratio*
- Offset rod retention

*Subject to belt width.

BENEFITS

- Flush grid allows for drainage
- Larger open area allows for better air flow
- Offset hole equals easy pin removal
- Easy to repair onsite
- No special tool required for assembly
- Simple link replacement
- Lighter belt compared to steel
- Lane dividers and guard edges available to keep product from falling off belt



SPIRALSURF® 200

PRODUCT SPECIFICATIONS

Pitch	2.0"
Link Thickness	.590"
Open Area	55.8%
Drive Method	Hinge Driven
Surface Area	Flush Grid
Flights	.47"
Travel	Bi-Directional
Link Layout	Bricklaid



BELT DATA

Belt Materials	Temperature Range	Weights M ²	Minimum Inside Radius
Acetal w/ Nylon Rods	-40°F to +200°F	1.56#/ft.	1.6 x belt width
Polypropylene w/ Acetal Rods	+41°F to +220°F	1.56#/ft.	1.6 - 1.8 (width dependable)

Rods	Diameter	Rod Tension
Nylon	.232"	Offset Hole
Acetal	.232"	Offset Hole
Stainless Steel	.232"	Offset Hole

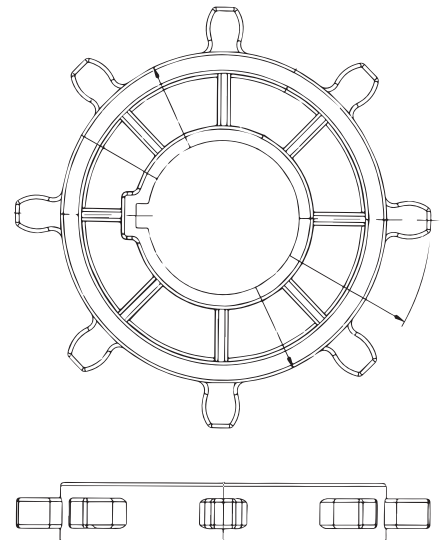
SPIRALSURF® 200 SPROCKETS *

Material	Number of Teeth	Bore with keyway	Hub width	Hub diameter
Glass Filled Nylon	8	25mm or 30mm	.799"	4.21"

*Other sprocket sizes available. Contact Ashworth engineering.

WEIGHTS AND SPROCKETS

Width	Belt Wt./inch per foot	Belt Wt. per foot	Min. drive sprockets	No. of support rails
6.1"	.132	.803	2	2
10.0"	.132	1.324	2	2
14.9"	.132	1.976	3	2
19.8"	.132	2.627	3	2
24.8"	.132	3.279	3	2
29.7"	.132	3.931	5	3
34.6"	.132	4.582	5	3
39.5"	.132	5.234	5	3
44.4"	.132	5.885	7	4
49.3"	.132	6.521	7	4



SPIRALSURF® 100

PRODUCT SPECIFICATIONS

Pitch	1.0"
Link Thickness	.512"
Open Area	47.5%
Drive Method	Hinge Driven
Surface Area	Flush Grid
Travel	Bi-Directional
Hold Down Tabs	Available
Back Pressure Rollers	Available
Link Layout	Bricklaid



BELT DATA

Belt Materials	Temperature Range	Weights M ²	Minimum Inside Radius
Acetal with Nylon Rods	-40°F to +200°F	7.4kg	2.2 x belt width
Polypropylene with Acetal Rods	+41°F to +220°F	7.4kg	2.2 x belt width
Rods	Diameter	Rod Tension	
Nylon	.192"	Offset Hole	
Acetal	.192"	Offset Hole	
Stainless Steel	.192"	Offset Hole	

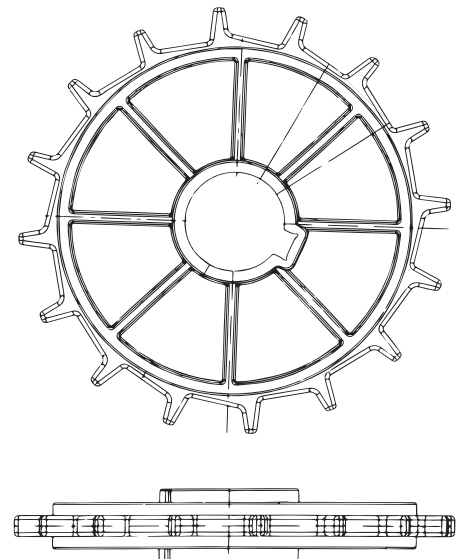
SPIRALSURF® 100 SPROCKETS*

Material	Number of Teeth	Bore with keyway	Hub width	Hub diameter
Glass Filled Nylon	16	25mm or 30mm	.858"	4.53"

*Other sprocket sizes available. Contact Ashworth engineering.

WEIGHTS AND SPROCKETS

Width	Belt Wt./inch per foot	Belt Wt. per foot	Min. drive sprockets	No. of support rails
5"	.126	.632	2	2
10"	.126	1.264	2	2
15"	.126	1.896	5	2
20"	.126	2.529	5	3
25"	.126	3.161	5	3
30"	.126	3.793	5	4
35"	.126	4.425	7	4
40"	.126	5.057	8	4
45"	.126	5.689	10	6
50"	.126	6.321	11	6





YOUR TRUSTED PARTNER FOR SUCCESS

Companies around the world depend on Ashworth's quality products, reliable customer service, and innovative solutions to resolve problems and increase productivity. AshPro offers a full range of engineering services, including system refurbishment, troubleshooting, and belt installation.

USA: +1-800-682-4594 or +1-540-662-3494

Factory Service: +1-866-204-1414

UK: +44-01-384-355000

Netherlands: +31-20-581-3220

ASHWORTH.COM

