



EXACTASTACK® & EXACTASTACK® XE

AFFORDABLE STACKER SOLUTIONS
AND EXPERTISE FROM ASHWORTH



YOUR TRUSTED PARTNER FOR SUCCESS

Companies around the world depend on Ashworth's quality products, reliable customer service, and innovative solutions to resolve problems and increase productivity. Ashworth Factory Service offers a full range of engineering services, including system refurbishment, troubleshooting, and belt installation.

To learn how Ashworth can help you keep your business moving forward, visit our website www.ashworth.com, or call us today at 800-682-4594.

Ashworth Bros., Inc.
450 Armour Dale
Winchester, VA 22601

Phone: 540-306-5328
Toll Free: 800-682-4594

ASHWORTH.COM



FIND THE RIGHT FIT WITH EXACTASTACK®

As your partner with the solutions to help your business succeed, Ashworth offers ExactaStack and ExactaStack XE, standard and wide belt stackers that deliver cost-effective, high quality food processing solutions. Ashworth's position as a world leader in conveyor belt manufacturing combined with its extensive food processing experience enables companies to increase efficiency and maximize production with a wide range of affordable belt solutions.

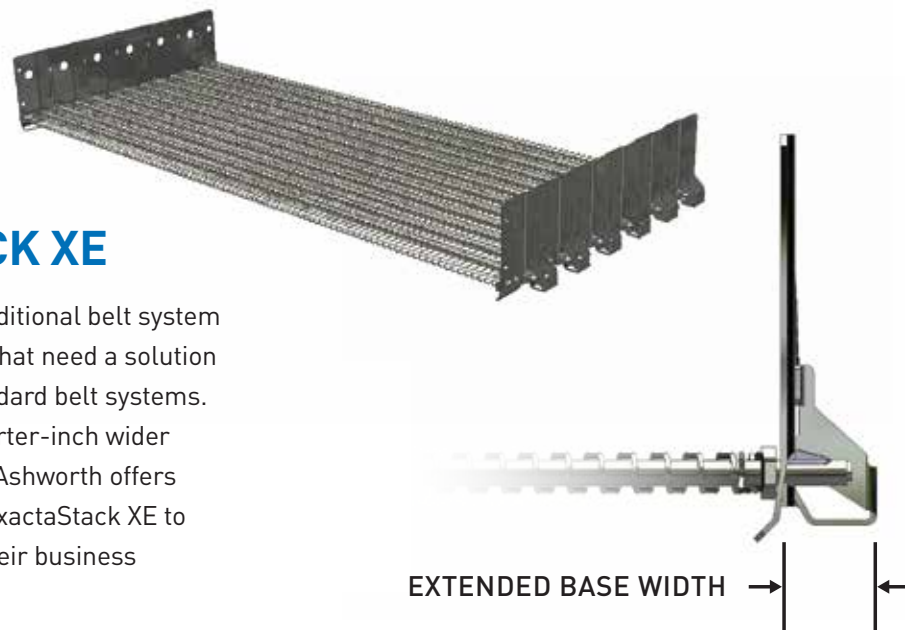


EXACTASTACK

ExactaStack is an affordable belt option for standard belt stackers for companies that need a cost-effective, high quality food processing solution. Throughout the world, companies in the food industry have implemented ExactaStack conveyor belt solutions into their manufacturing processes.

EXACTASTACK XE

ExactaStack XE is an additional belt system offering for companies that need a solution that fits wider than standard belt systems. ExactaStack XE is a quarter-inch wider than our standard belt. Ashworth offers turnkey installation of ExactaStack XE to help companies keep their business moving forward.



EXACTASTACK OPTIONS AT A GLANCE:

QUALITY & SERVICE

- ExactaStack is available in all widths, tier heights, and mesh configurations for both spliced-in sections and complete belt replacements, with no system drive modifications required.
- ExactaStack XE Specifications: Available for both 930 mm and 1070 mm belt widths.
- Technical support and installation for ExactaStack and ExactaStack XE is available from the experts who invented spiral belting systems.

	Ashworth ExactaStack	OEM
Pitch	30.0 - 59.9 mm	30.0 - 59.9 mm
Rod Diameter	5.0, 6.0, 7.0 mm	5.0, 6.0, 7.0 mm
Tier Height	60, 80, 90, 100, 120, 150, 180, 220 mm	60, 80, 90, 100, 120, 150, 180, 220 mm
Available Widths	420, 580, 640, 760, 920, 930, 1060, 1070 mm	420, 580, 640, 760, 920, 930, 1060, 1070 mm
Turn Capability	Clockwise & Counter-Clockwise	Clockwise & Counter-Clockwise

	MESH SIZE	STANDARD		WIDE		STANDARD		WIDE	
		STRAIGHT	TURN	STRAIGHT	TURN	STRAIGHT	TURN	STRAIGHT	TURN
OPEN AREA	6 mm	57%	47%	54%	45%	57%	47%	54%	45%
	9 mm	66%	58%	59%	51%	66%	58%	59%	51%
	13 mm	71%	65%	65%	58%	71%	65%	65%	58%
	20 mm	76%	69%	69%	63%	76%	69%	69%	63%

TURNKEY INSTALLATION OF EXACTASTACK & EXACTASTACK XE

Our expert Factory Service team has spent thousands of hours optimizing spiral systems for every type of product application. Our team provides food processing companies with trusted technical support and first-class installation services that include:

- The expertise of an Ashworth Factory Service representative to recommend the belt that is right for you.
- A new ExactaStack Belt installed and inspected by an Ashworth technician that will meet all your production needs.
- Adjustment of the current drive system for optimal performance and a system inspection report certified by Ashworth Factory Service.

