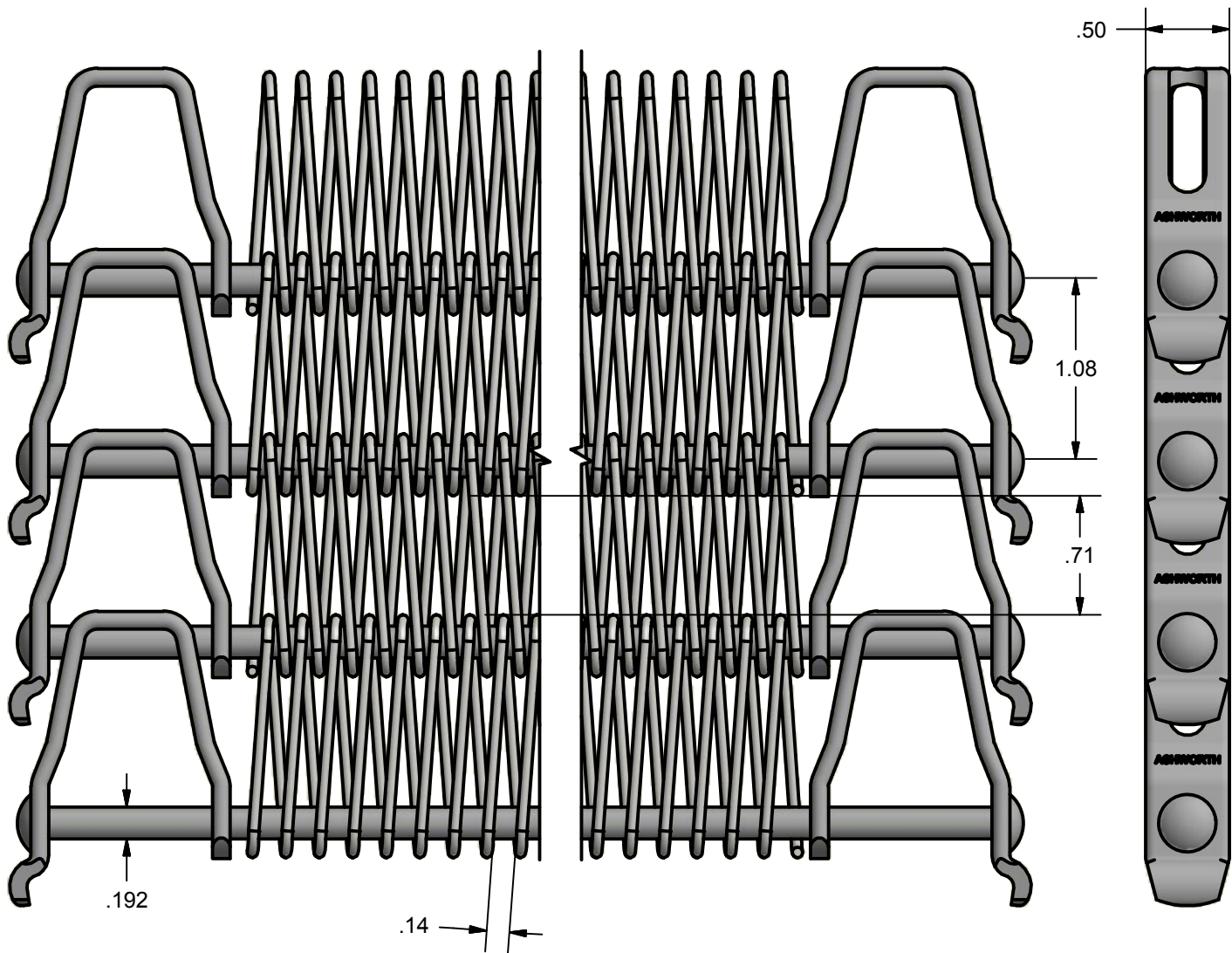


REVISION HISTORY				
ZONE	REV	DESCRIPTION	DATE	APPROVED
	A	INITIAL RELEASE		



DO NOT SCALE DRAWING	
APPROVALS	DATE
DRAWN witrinc	5/2/2013
UNLESS OTHERWISE SPECIFIED DIMENSIONS ARE IN INCHES. TOLERANCES: .X = ± .03 FRACTION ± 1/16 .XX = ± .015 ANGLES ± 1/2° .XXX = ± .005 .XXXX = ± .0005 SURF FINISH 63 ✓	
CAD/FILE NAME OP Assembly.idw	

Ashworth Bros., Inc.

450 ARMOUR DALE, WINCHESTER, VA 22601

TITLE ILLUSTRATION B60-12-16 OP100	
SIZE A	DWG. NO.
SCALE 1 : 1	REV.
CALC.WT N/A	SHEET 1 OF 1