



DWG NO.

SH
1

REV
A

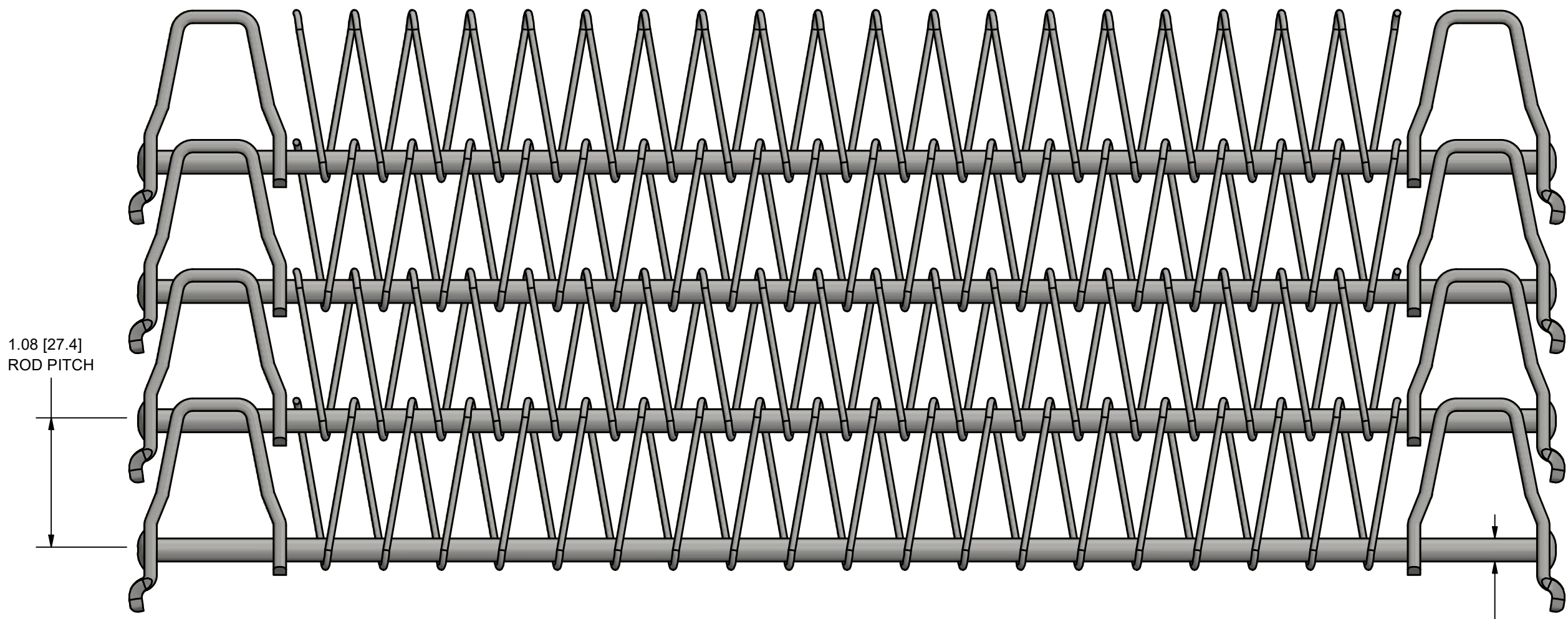
CUSTOMER SIGN OFF

CUSTOMER SIGNATURE: _____

PRINTED NAME: _____

TITLE: _____

DATE: _____



***PIGTAILS NOT SHOWN

THIS DRAWING CONTAINS CONFIDENTIAL INFORMATION AND TRADE SECRETS OF ASHWORTH BROS., INC. IT MAY NOT BE REPRODUCED IN WHOLE OR IN PART OR USED FOR THE BENEFIT OF ANYONE OTHER THAN ASHWORTH BROS., INC. NO RIGHT IS GRANTED TO DISCLOSE OR USE ANY INFORMATION SHOWN ON THIS DRAWING.

UNLESS OTHERWISE SPECIFIED DIMENSIONS ARE IN INCHES. DIMENSIONS NOTED ARE NOMINAL VALUES ONLY. ACTUAL DIMENSIONS ARE AFFECTED BY MANUFACTURING SPECS. AND / OR PROCESS CONDITIONS. CONTACT ASHWORTH ENGINEERING FOR MORE DETAIL.

THIRD ANGLE PROJECTION

MATERIAL

TREATMENT NONE

FINISH NONE

CONTRACT / PROJECT NO.

APPROVALS	DATE
-----------	------

DRAWN	witrinc	3/5/2020
-------	---------	----------

DESIGN	CST	3/28/2017
--------	-----	-----------

CHECKED	
---------	--

REF ASSEMBLY

REF PART

ASHWORTH PART NUMBER



Ashworth Bros., Inc.
450 ARMOUR DALE, WINCHESTER, VA 22601

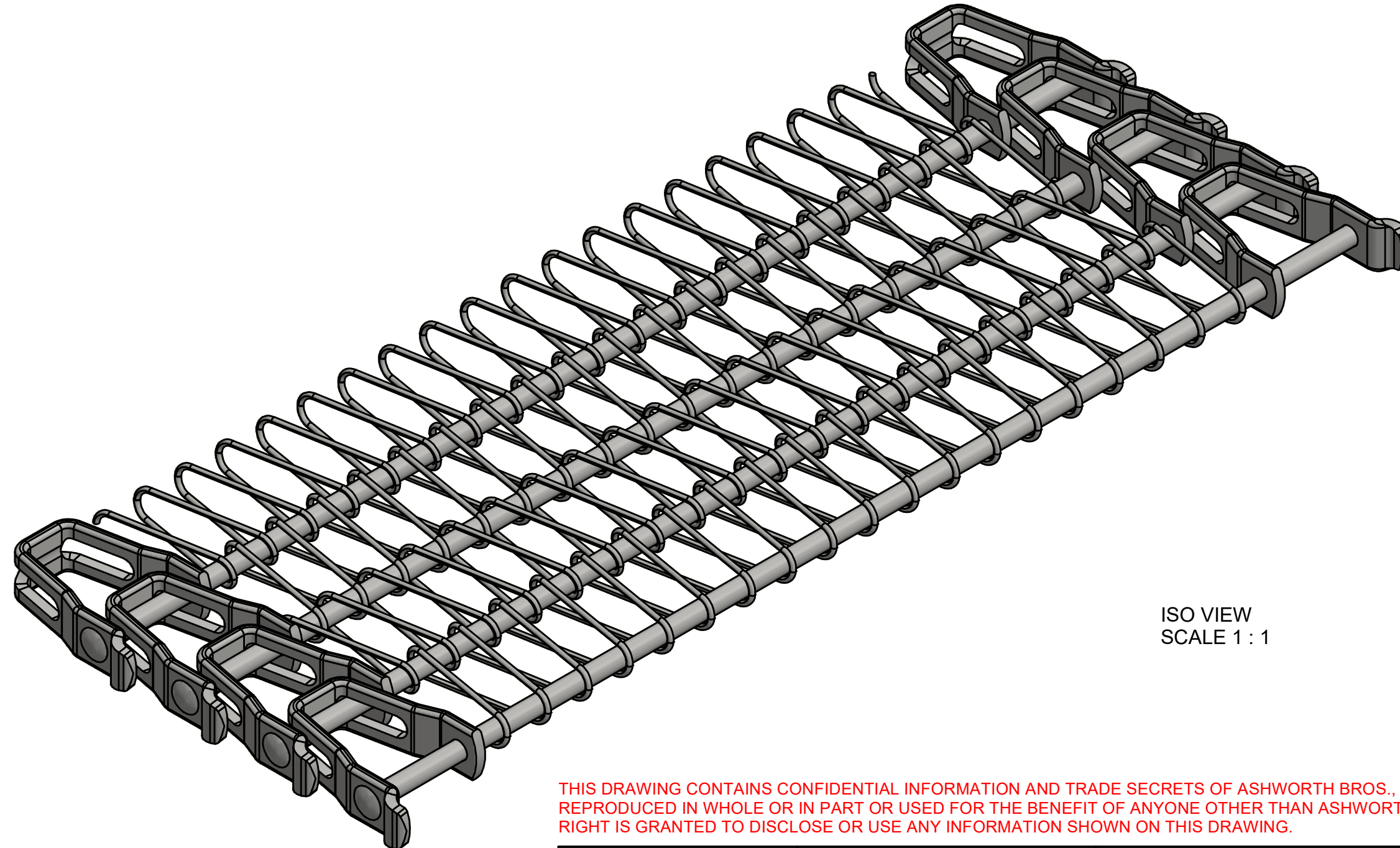
TITLE
ILLUSTRATION OP100 B24-12-17

SIZE	CAGE CODE	QUOTE NO.	REV.
------	-----------	-----------	------

B	96664		
----------	--------------	--	--


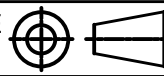
SCALE	1 : 1	CALC.WT	N/A	SHEET	1 OF 2
-------	-------	---------	-----	-------	--------





ISO VIEW
SCALE 1 : 1

THIS DRAWING CONTAINS CONFIDENTIAL INFORMATION AND TRADE SECRETS OF ASHWORTH BROS., INC. IT MAY NOT BE REPRODUCED IN WHOLE OR IN PART OR USED FOR THE BENEFIT OF ANYONE OTHER THAN ASHWORTH BROS., INC. NO RIGHT IS GRANTED TO DISCLOSE OR USE ANY INFORMATION SHOWN ON THIS DRAWING.

UNLESS OTHERWISE SPECIFIED DIMENSIONS ARE IN INCHES. DIMENSIONS NOTED ARE NOMINAL VALUES ONLY. ACTUAL DIMENSIONS ARE AFFECTED BY MANUFACTURING SPECS. AND / OR PROCESS CONDITIONS. CONTACT ASHWORTH ENGINEERING FOR MORE DETAIL.	CONTRACT / PROJECT NO.		 Ashworth Bros., Inc. 450 ARMOUR DALE, WINCHESTER, VA 22601			
	APPROVALS	DATE				
	DRAWN witrinc	3/5/2020	TITLE ILLUSTRATION OP100 B24-12-17			
	DESIGN CST	3/28/2017				
THIRD ANGLE PROJECTION 	CHECKED					
MATERIAL	REF ASSEMBLY		SIZE	CAGE CODE	QUOTE NO.	REV.
TREATMENT NONE	REF PART		B	96664		
FINISH NONE	ASHWORTH PART NUMBER		SCALE	1 : 1	CALC.WT N/A	SHEET 2 OF 2