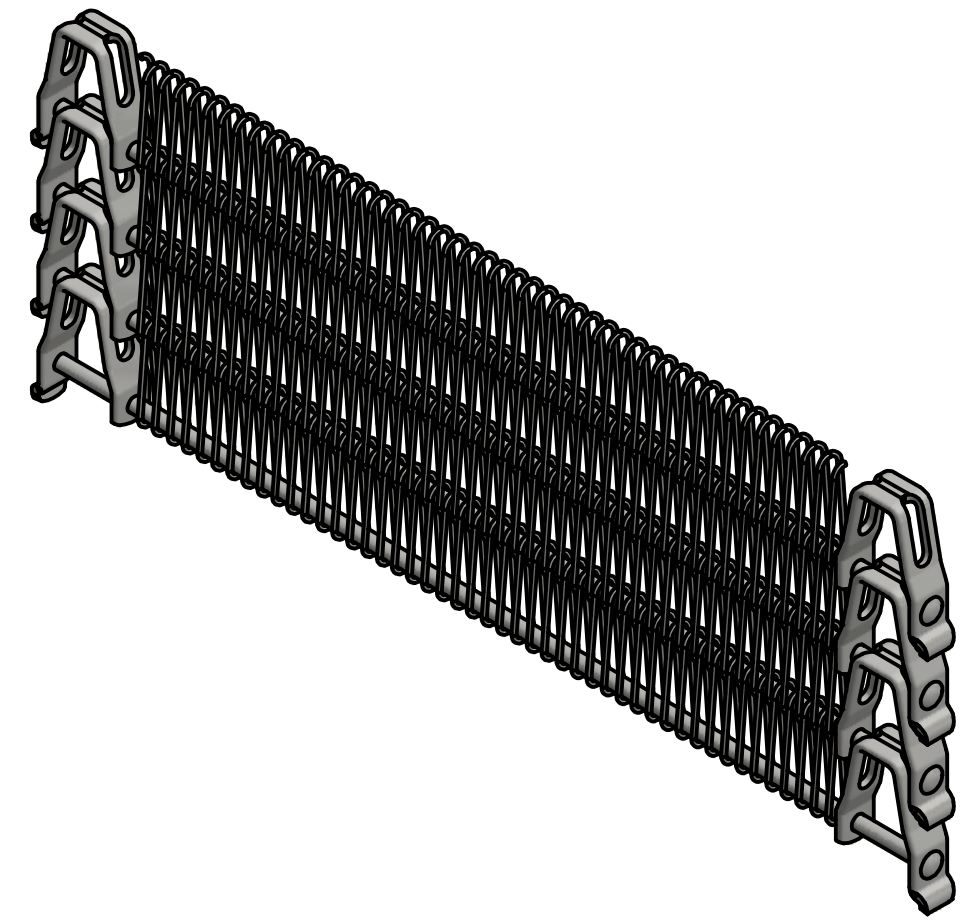
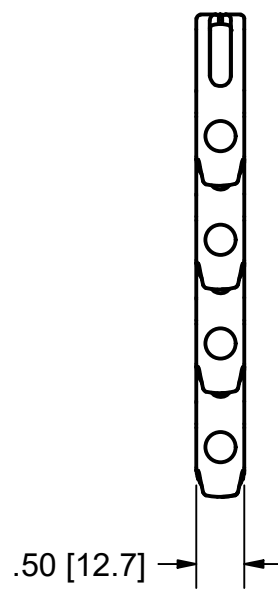
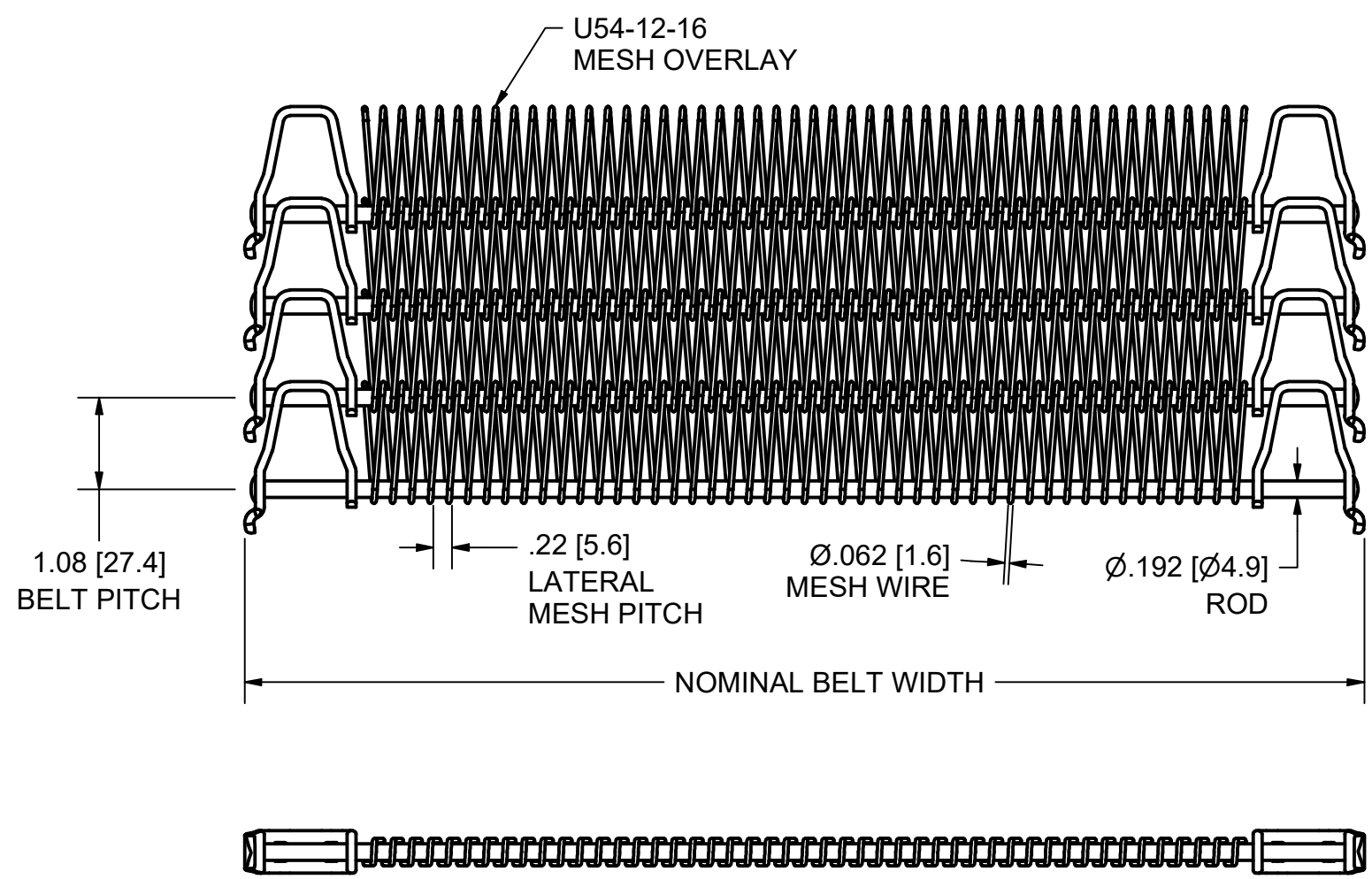



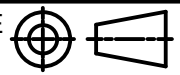
REVISION HISTORY				
ZONE	REV	DESCRIPTION	DATE	APPROVED
	A	INITIAL RELEASE		



THIS DRAWING CONTAINS CONFIDENTIAL INFORMATION AND TRADE SECRETS OF ASHWORTH BROS., INC. IT MAY NOT BE REPRODUCED IN WHOLE OR IN PART OR USED FOR THE BENEFIT OF ANYONE OTHER THAN ASHWORTH BROS., INC. NO RIGHT IS GRANTED TO DISCLOSE OR USE ANY INFORMATION SHOWN ON THIS DRAWING.

NOTES:

1. MATERIAL: PER ORDER.
2. BELT WIDTH: PER ORDER
3. BELT TYPE: OP100
U54-12-16 MESH OVERLAY

<small>UNLESS OTHERWISE SPECIFIED DIMENSIONS ARE IN INCHES. DIMENSIONS NOTED ARE NOMINAL VALUES ONLY. ACTUAL DIMENSIONS ARE AFFECTED BY MANUFACTURING SPECS. AND / OR PROCESS CONDITIONS. CONTACT ASHWORTH ENGINEERING FOR FOR MORE DETAIL.</small>	CONTRACT / PROJECT NO.		 Ashworth Bros., Inc. <small>450 ARMOUR DALE, WINCHESTER, VA 22601</small>
	APPROVALS	DATE	
	DRAWN NEC	5/18/21	
	DESIGN NEC	5/18/21	
DO NOT SCALE DRAWING	CHECKED NEC	5/18/21	TITLE
THIRD ANGLE PROJECTION 	REF ASSEMBLY		ILLUSTRATION
MATERIAL	REF PART		OP 100
TREATMENT	CAD/FILE NAME		U54-12-16 MESH
FINISH	OP100-U54-12-16.idw	SIZE	
		B	CAGE CODE
			96664
		DWG. NO.	
		OP100-U54-12-16	REV.
		SCALE	
		NTS	
		CALC.WT	
		N/A	
		SHEET	
		1 OF 1	