

Rod Replacement Instructions

Ruler



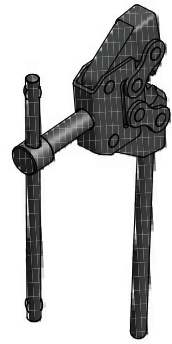
Straight Edge, Square or Triangle



Grinder



Chain Break



Bolt Cutters



Reamer Tool



Replacement Rods



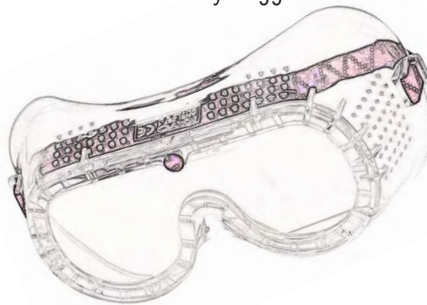
TIG Welder



Welding Mask



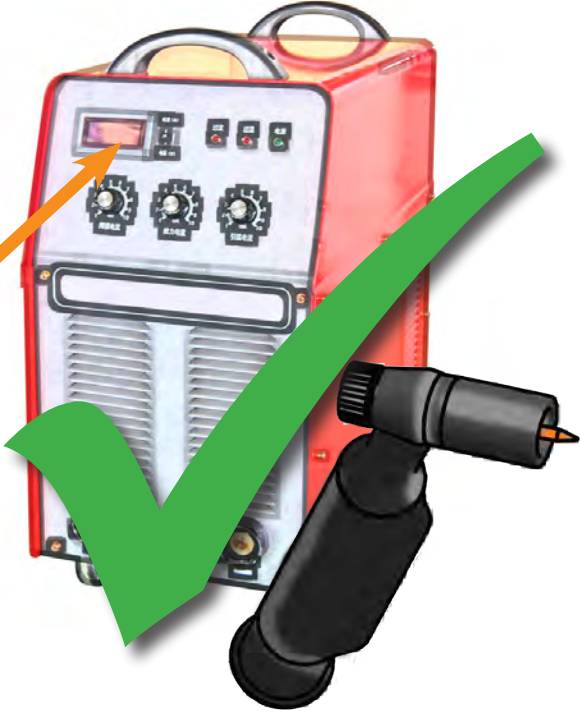
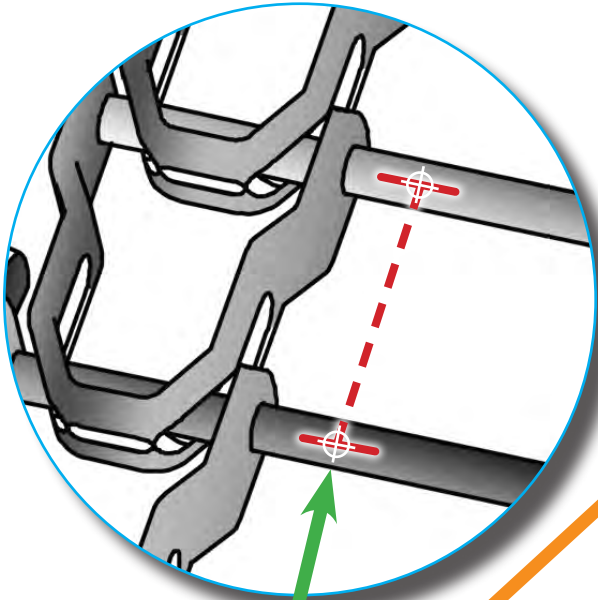
Safety Goggles



Gloves



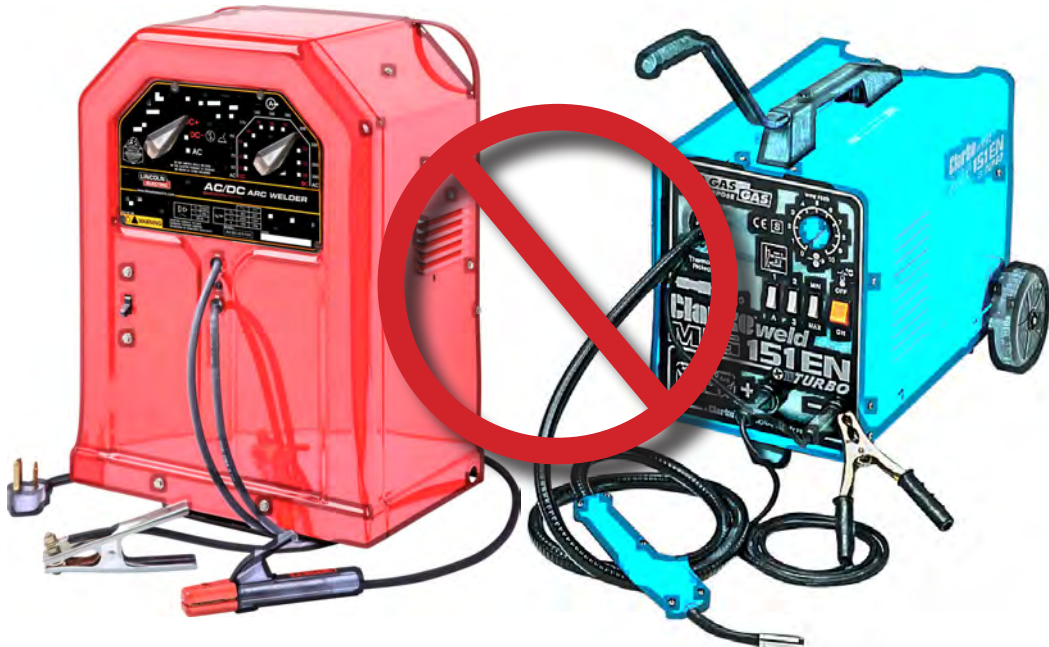
TIG Welder Amp Settings:



TIG Welder

$\oplus - \ominus$	Amps/DC
.75" = 19.1mm	60
1.00" = 27.4mm	60
1.20" = 30.5mm	80
1.50" = 38.1mm	80

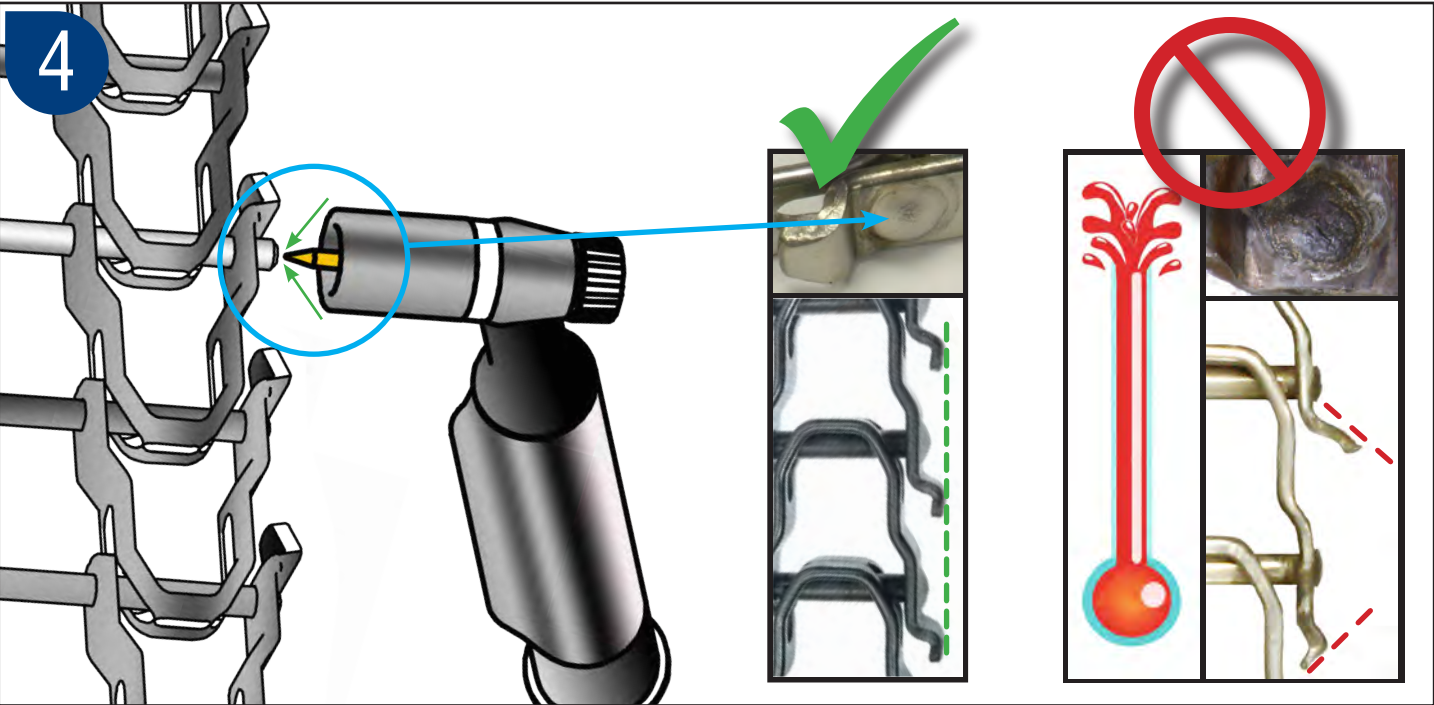
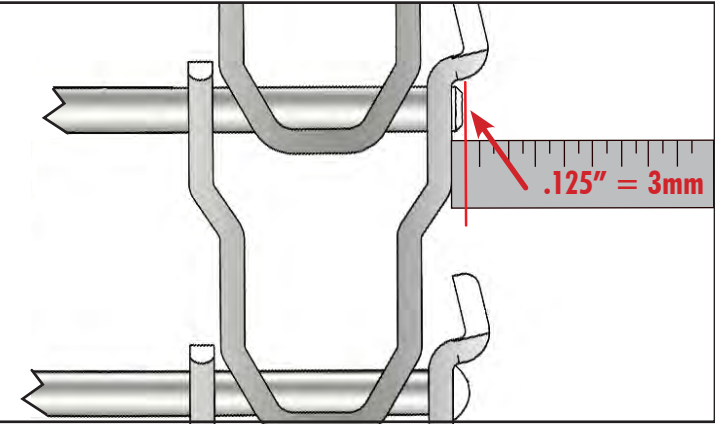
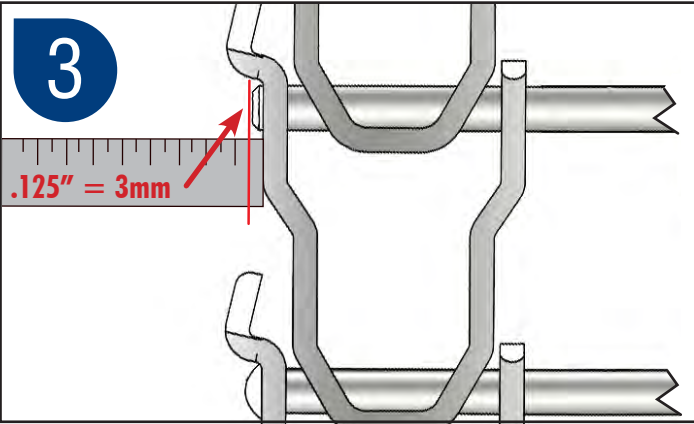
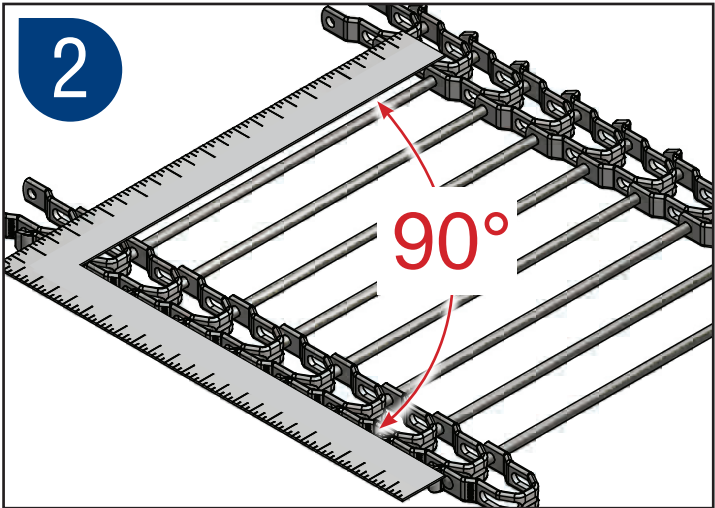
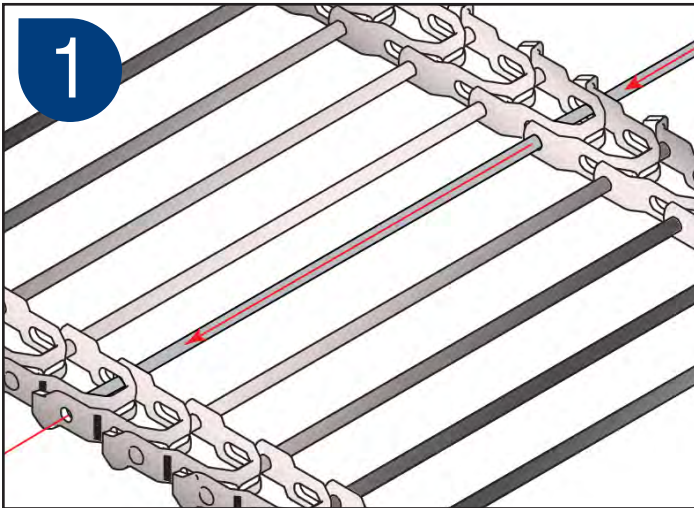
Settings are approximate and may vary.
Shielding gas Ar. PROCEED WITH CAUTION.



Arc Welder

MIG Welder

Splicing in a New Rod:



Ashworth Bros., Inc.
450 ARMOUR DALE, WINCHESTER, VA 22601
PHONE: 540-662-3494 OR 800-682-4594 FAX: 540-662-3150 OR 800-532-1730
www.ashworth.com