



DWG NO.

SH  
1

REV  
A

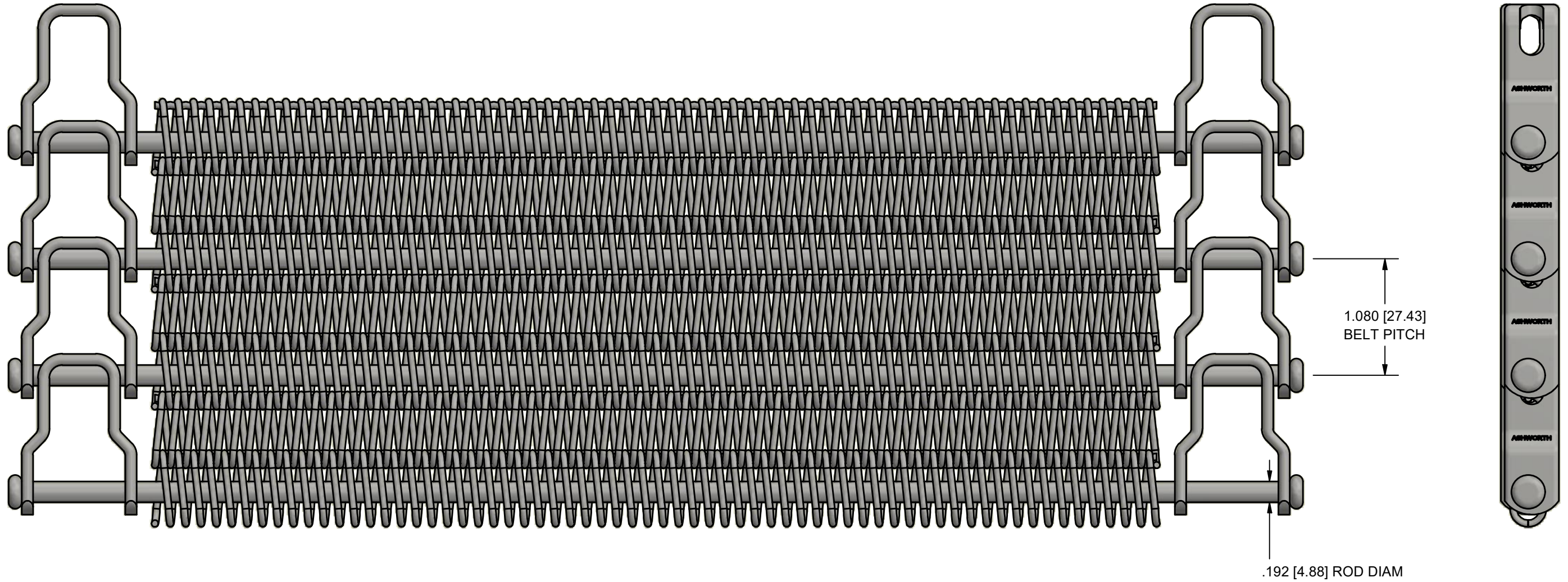
# CUSTOMER SIGN OFF

CUSTOMER SIGNATURE: \_\_\_\_\_

PRINTED NAME: \_\_\_\_\_

TITLE: \_\_\_\_\_


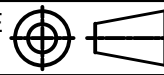
DATE: \_\_\_\_\_



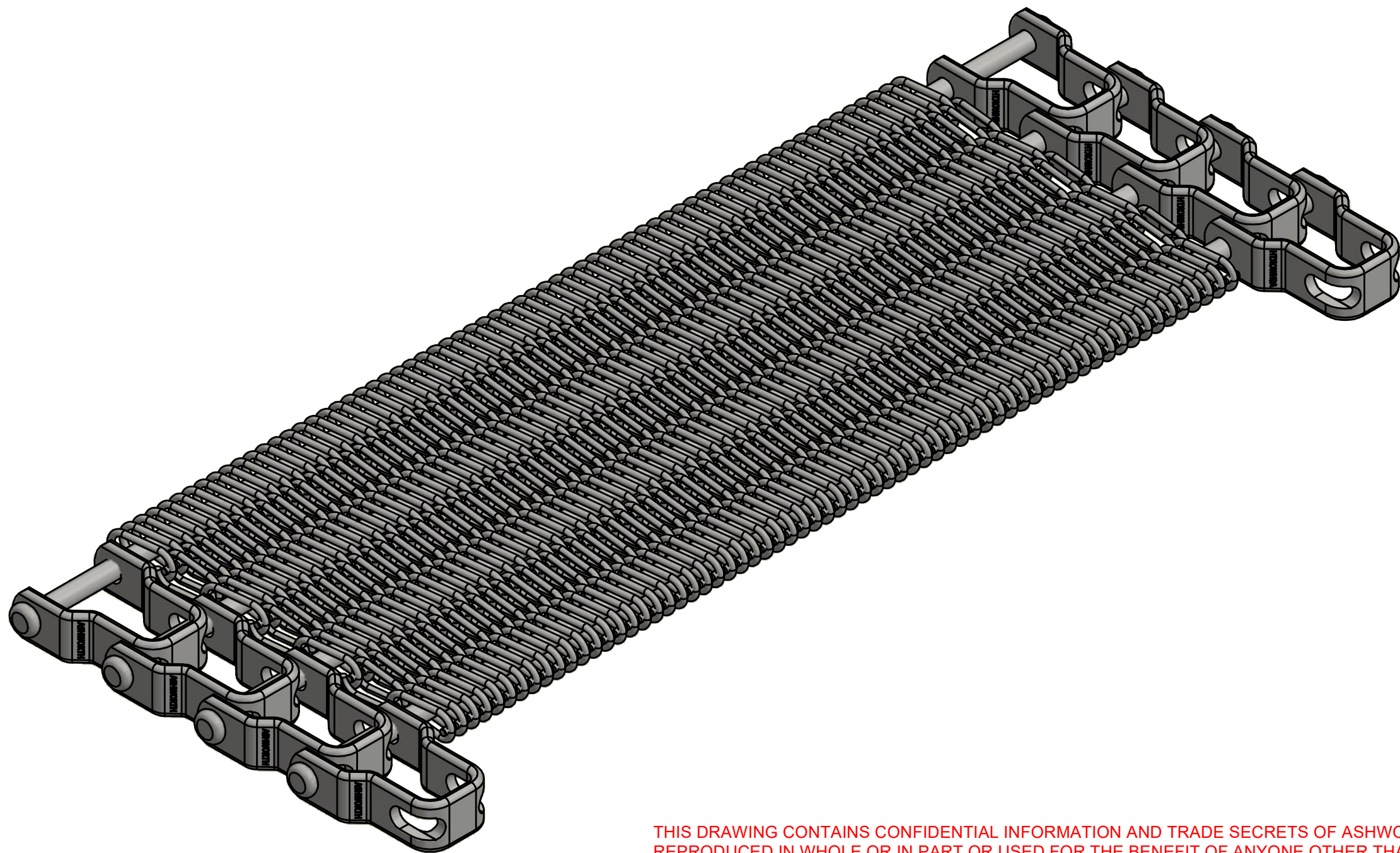
ALL DIMENSIONS ARE FOR REFERENCE ONLY

**THIS DRAWING CONTAINS CONFIDENTIAL INFORMATION AND TRADE SECRETS OF ASHWORTH BROS., INC. IT MAY NOT BE REPRODUCED IN WHOLE OR IN PART OR USED FOR THE BENEFIT OF ANYONE OTHER THAN ASHWORTH BROS., INC. NO RIGHT IS GRANTED TO DISCLOSE OR USE ANY INFORMATION SHOWN ON THIS DRAWING.**

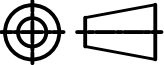

NOTES:

UNLESS OTHERWISE SPECIFIED DIMENSIONS ARE IN INCHES. DIMENSIONS NOTED ARE NOMINAL VALUES ONLY. ACTUAL DIMENSIONS ARE AFFECTED BY MANUFACTURING SPECS. AND / OR PROCESS CONDITIONS. CONTACT ASHWORTH ENGINEERING FOR MORE DETAIL.	CONTRACT / PROJECT NO.		 <b>Ashworth Bros., Inc.</b> 450 ARMOUR DALE, WINCHESTER, VA 22601
	APPROVALS	DATE	
	DRAWN witrinc	3/5/2020	TITLE ILLUSTRATION OG100 B84-22.1-16
	DESIGN CST	3/28/2017	
THIRD ANGLE PROJECTION 	CHECKED		
MATERIAL	REF ASSEMBLY		
TREATMENT NONE	REF PART		
FINISH NONE	ASHWORTH PART NUMBER		
	SIZE <b>B</b>	CAGE CODE <b>96664</b>	QUOTE NO.
	SCALE <b>1 : 1</b>	CALC.WT N/A	REV.
		SHEET <b>1 OF 2</b>	





THIS DRAWING CONTAINS CONFIDENTIAL INFORMATION AND TRADE SECRETS OF ASHWORTH BROS., INC. IT MAY NOT BE REPRODUCED IN WHOLE OR IN PART OR USED FOR THE BENEFIT OF ANYONE OTHER THAN ASHWORTH BROS., INC. NO RIGHT IS GRANTED TO DISCLOSE OR USE ANY INFORMATION SHOWN ON THIS DRAWING.

UNLESS OTHERWISE SPECIFIED DIMENSIONS ARE IN INCHES. DIMENSIONS NOTED ARE NOMINAL VALUES ONLY. ACTUAL DIMENSIONS ARE AFFECTED BY MANUFACTURING SPECS. AND / OR PROCESS CONDITIONS. CONTACT ASHWORTH ENGINEERING FOR MORE DETAIL.  THIRD ANGLE PROJECTION 	CONTRACT / PROJECT NO.		 <b>Ashworth Bros., Inc.</b> 450 ARMOUR DALE, WINCHESTER, VA 22601		
	APPROVALS	DATE			
	DRAWN <b>witrinc</b>	3/5/2020	TITLE <b>ILLUSTRATION OG100 B84-22.1-16</b>		
	DESIGN <b>CST</b>	3/28/2017			
MATERIAL	REF ASSEMBLY	SIZE	CAGE CODE	QUOTE NO.	REV.
TREATMENT NONE	REF PART	<b>B</b>	<b>96664</b>		
FINISH NONE	ASHWORTH PART NUMBER	SCALE	CALC.WT	SHEET	
		<b>1 : 1</b>	N/A	<b>2 OF 2</b>	