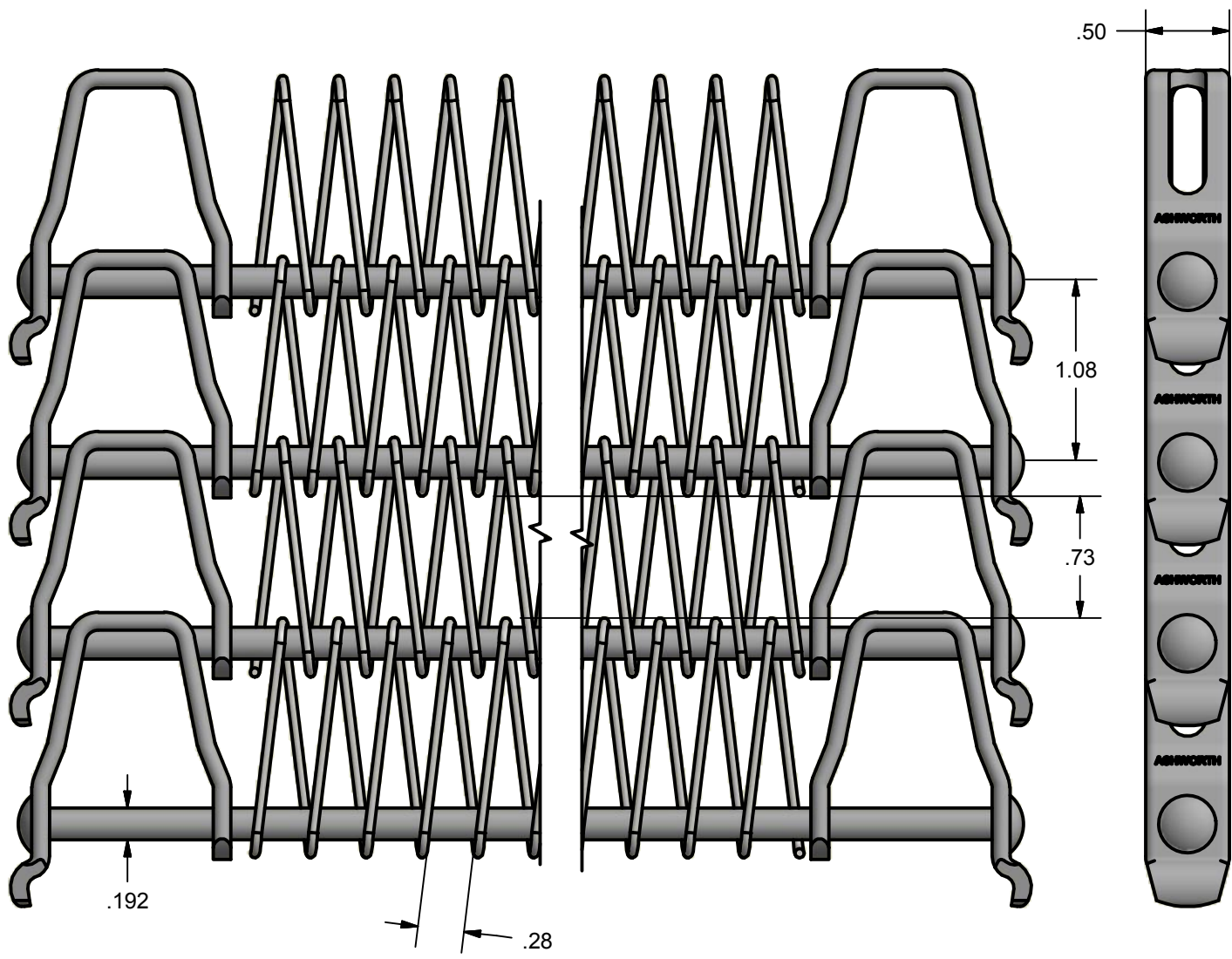



REVISION HISTORY				
ZONE	REV	DESCRIPTION	DATE	APPROVED
	A	INITIAL RELEASE		



DO NOT SCALE DRAWING		 Ashworth 450 ARMOUR DALE, WINCHESTER, VA 22601	<h1>Ashworth Bros., Inc.</h1>	
APPROVALS	DATE			
DRAWN	witrinc	5/2/2013	TITLE	
UNLESS OTHERWISE SPECIFIED DIMENSIONS ARE IN INCHES. TOLERANCES: .X = ± .03 FRACTION ± 1/16 .XX = ± .015 ANGLES ± 1/2° .XXX = ± .005 .XXXX = ± .0005 SURF FINISH 63 ✓			<h2>ILLUSTRATION B36-12-17 OP100</h2>	
CAD/FILE NAME		SCALE	DWG. NO.	REV.
OP Assembly.idw		1 : 1	N/A	1 OF 1