
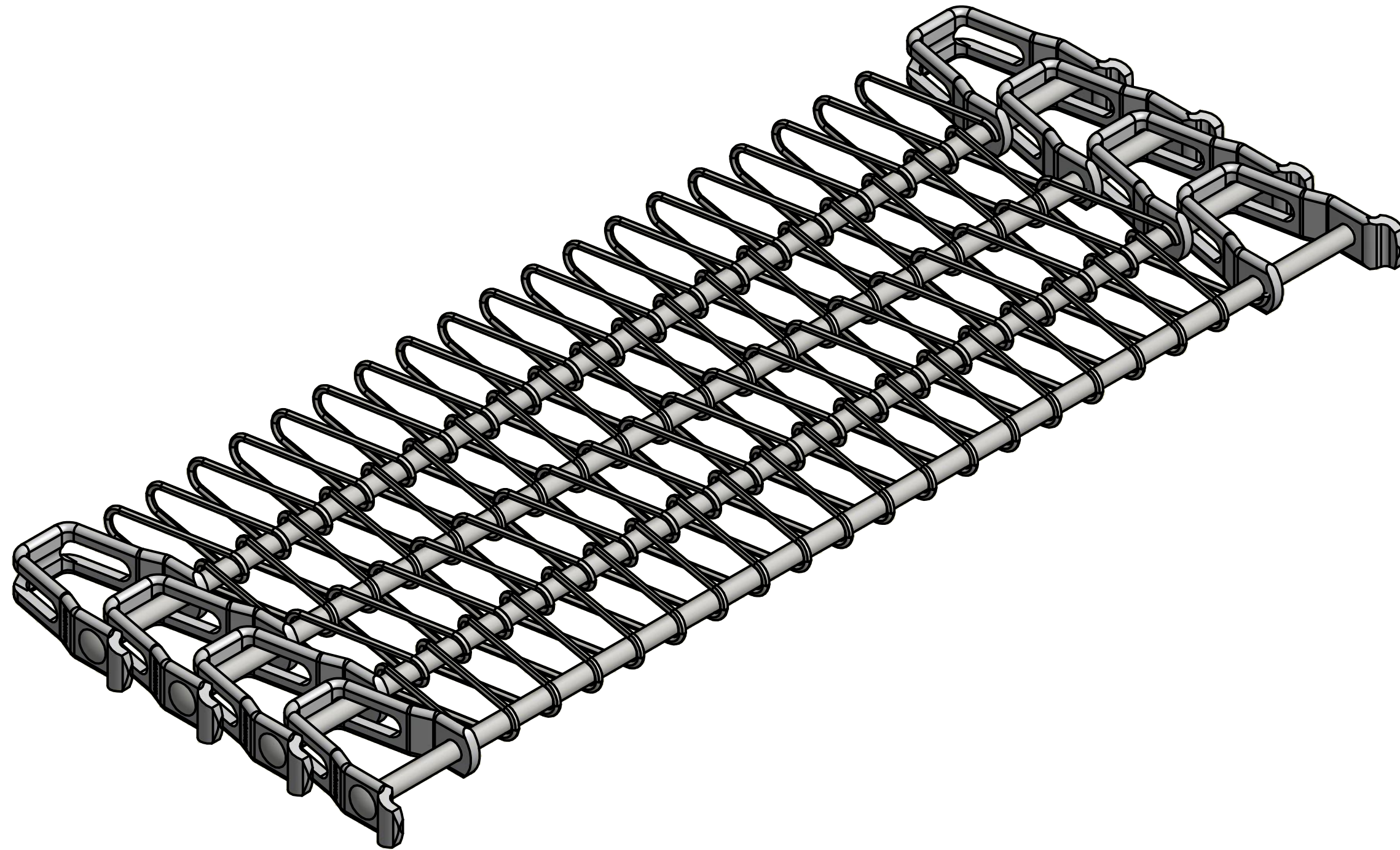



1.08 [27.4]  
BELT PITCH

NOTES:

1. WIDTHS VARY BY ORDER

DO NOT SCALE DRAWING		 <b>Ashworth Bros., Inc.</b> 450 ARMOUR DALE, WINCHESTER, VA 22601
APPROVALS	DATE	
DRAWN	witrinc	5/2/2013
UNLESS OTHERWISE SPECIFIED DIMENSIONS ARE IN INCHES. TOLERANCES: .X = ± .03      FRACTION ± 1/16 .XX = ± .015      ANGLES ± 1/2° .XXX = ± .005 .XXXX = ± .0005      SURF FINISH 63 ✓		TITLE
		ILLUSTRATION OP100 B24-12-16
SIZE	DWG. NO.	
<b>B</b>		
SCALE	1 : 1	REV.
CAD/FILE NAME	OP Assembly.idw	REV.
	SCALE	1 : 1
	CALC.WT	N/A
	SHEET	1 OF 2



DO NOT SCALE DRAWING		 <b>Ashworth Bros., Inc.</b> 450 ARMOUR DALE, WINCHESTER, VA 22601
APPROVALS	DATE	
DRAWN	witrinc	5/2/2013
UNLESS OTHERWISE SPECIFIED DIMENSIONS ARE IN INCHES. TOLERANCES: .X = ± .03      FRACTION ± 1/16 .XX = ± .015      ANGLES ± 1/2° .XXX = ± .005 .XXXX = ± .0005      SURF FINISH 63 ✓		TITLE
		ILLUSTRATION OP100 B24-12-16
SIZE	<b>B</b>	DWG. NO.
SCALE	1 : 1	REV.
CAD/FILE NAME	OP Assembly.idw	CALC.WT
		N/A
		SHEET
		2 OF 2