



DWG NO.

SH
1REV
A

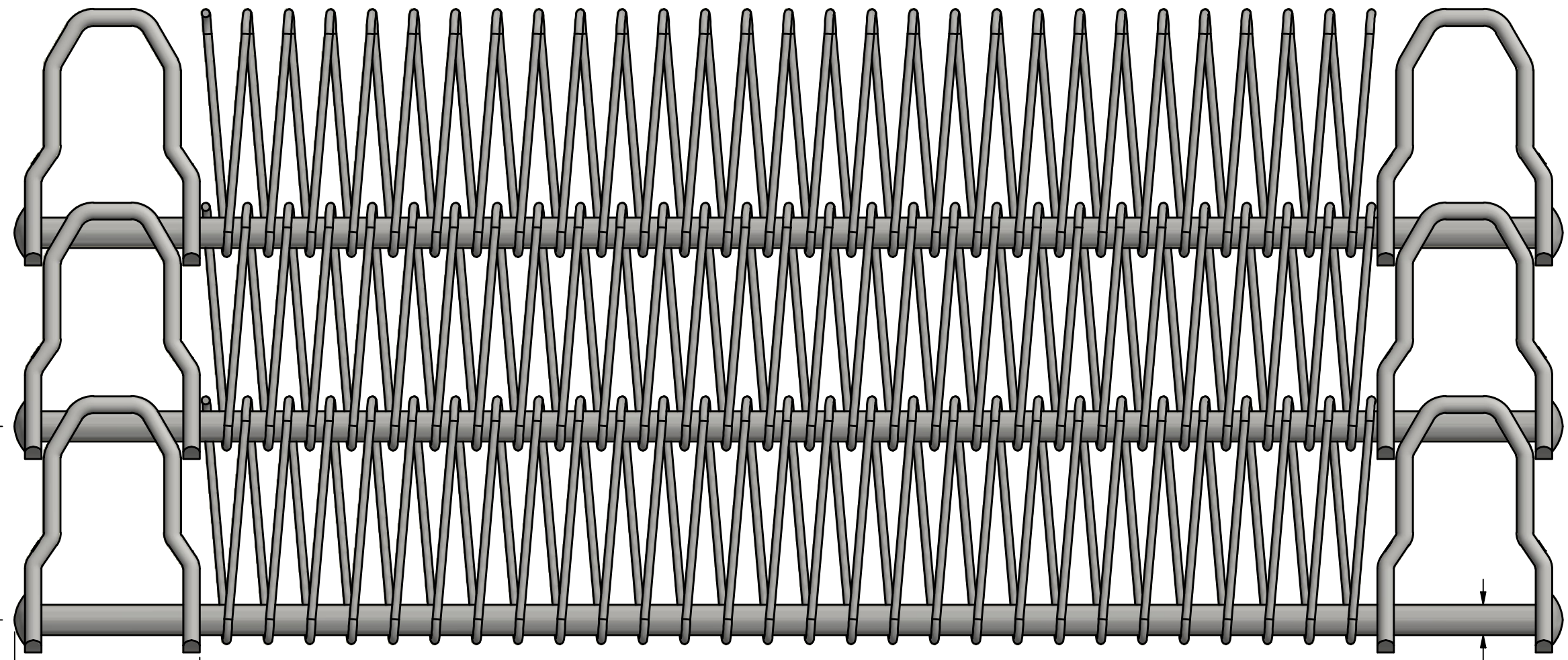
CUSTOMER SIGN OFF

CUSTOMER SIGNATURE: _____

PRINTED NAME: _____

TITLE: _____

DATE: _____



***PIGTAILS NOT SHOWN

THIS DRAWING CONTAINS CONFIDENTIAL INFORMATION AND TRADE SECRETS OF ASHWORTH BROS., INC. IT MAY NOT BE REPRODUCED IN WHOLE OR IN PART OR USED FOR THE BENEFIT OF ANYONE OTHER THAN ASHWORTH BROS., INC. NO RIGHT IS GRANTED TO DISCLOSE OR USE ANY INFORMATION SHOWN ON THIS DRAWING.

UNLESS OTHERWISE SPECIFIED DIMENSIONS ARE IN INCHES. DIMENSIONS NOTED ARE NOMINAL VALUES ONLY. ACTUAL DIMENSIONS ARE AFFECTED BY MANUFACTURING SPECS. AND / OR PROCESS CONDITIONS. CONTACT ASHWORTH ENGINEERING FOR FOR MORE DETAIL.

THIRD ANGLE PROJECTION

MATERIAL

TREATMENT NONE

FINISH NONE

CONTRACT / PROJECT NO.

APPROVALS DATE

DRAWN **witrinc** 3/5/2020DESIGN **CST** 3/28/2017

CHECKED

REF ASSEMBLY

REF PART

ASHWORTH PART NUMBER

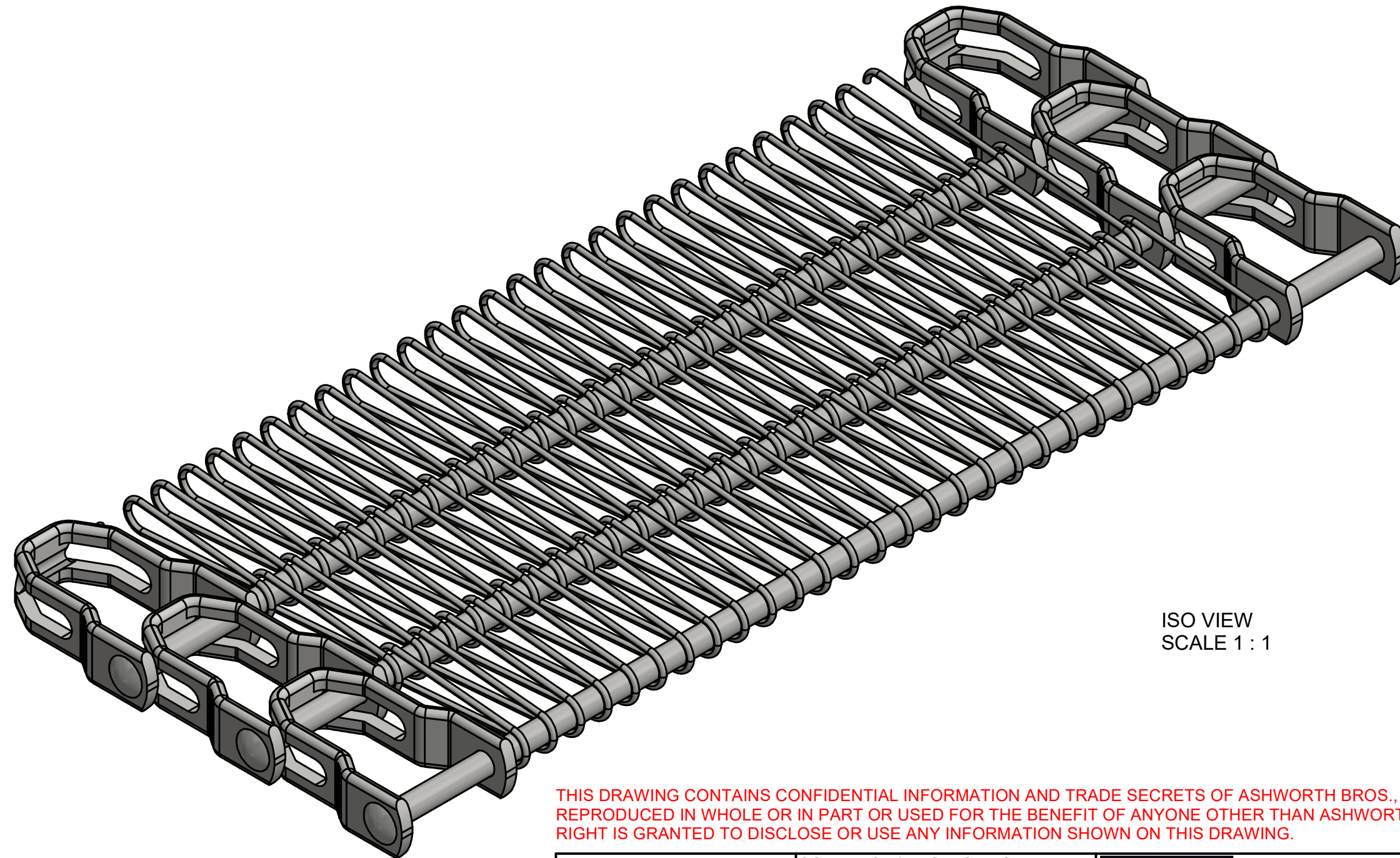

Ashworth Bros., Inc.
 450 ARMOUR DALE, WINCHESTER, VA 22601
TITLE
ILLUSTRATION OG360-150 U36-8-16

SIZE CAGE CODE QUOTE NO. REV.

B 96664


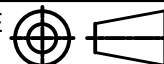
SCALE 1:1 CALC.WT N/A SHEET 1 OF 2





ISO VIEW
SCALE 1 : 1

THIS DRAWING CONTAINS CONFIDENTIAL INFORMATION AND TRADE SECRETS OF ASHWORTH BROS., INC. IT MAY NOT BE REPRODUCED IN WHOLE OR IN PART OR USED FOR THE BENEFIT OF ANYONE OTHER THAN ASHWORTH BROS., INC. NO RIGHT IS GRANTED TO DISCLOSE OR USE ANY INFORMATION SHOWN ON THIS DRAWING.

UNLESS OTHERWISE SPECIFIED DIMENSIONS ARE IN INCHES. DIMENSIONS NOTED ARE NOMINAL VALUES ONLY. ACTUAL DIMENSIONS ARE AFFECTED BY MANUFACTURING SPECS. AND / OR PROCESS CONDITIONS. CONTACT ASHWORTH ENGINEERING FOR MORE DETAIL.	CONTRACT / PROJECT NO.		 Ashworth Bros., Inc. 450 ARMOUR DALE, WINCHESTER, VA 22601			
	APPROVALS	DATE				
	DRAWN witrinc	3/5/2020	TITLE ILLUSTRATION OG360-150 U36-8-16			
	DESIGN CST	3/28/2017				
THIRD ANGLE PROJECTION 	CHECKED					
MATERIAL	REF ASSEMBLY		SIZE B	CAGE CODE 96664	QUOTE NO.	REV.
TREATMENT NONE	REF PART		SCALE 1 : 1	CALC.WT N/A	SHEET 2 OF 2	
FINISH NONE	ASHWORTH PART NUMBER					